



US00D954989S

(12) **United States Design Patent**
Kern

(10) **Patent No.:** **US D954,989 S**
(45) **Date of Patent:** **** Jun. 14, 2022**

- (54) **FILTRATION RACK**
- (71) Applicant: **UNIVERSITY OF WYOMING,**
Laramie, WY (US)
- (72) Inventor: **Jessica Kern,** Laramie, WY (US)
- (73) Assignee: **UNIVERSITY OF WYOMING,**
Laramie, WY (US)
- (**) Term: **15 Years**
- (21) Appl. No.: **29/712,302**
- (22) Filed: **Nov. 7, 2019**
- (51) **LOC (13) Cl.** **24-02**
- (52) **U.S. Cl.**
USPC **D24/227**
- (58) **Field of Classification Search**
USPC D24/216, 223-230; D6/524, 553, 567,
D6/574; D7/601, 701-708; D8/71;
D15/150, 151, 152; D3/206, 215
CPC A61B 5/150343; B01D 9/00; B01L 3/06;
B01L 3/502; B01L 3/5025; B01L 9/06
See application file for complete search history.

D674,507	S	*	1/2013	Suzuki	D24/229
D747,177	S	*	1/2016	McGinty	D8/349
D766,617	S	*	9/2016	Hochman	D6/553
D837,401	S	*	1/2019	Gardner	D24/230
D887,796	S	*	6/2020	Chiang	D7/701
D896,955	S	*	9/2020	Wiechman	D24/128
D916,314	S	*	4/2021	Fernandes Mateus	D24/227
2020/0107712	A1	*	4/2020	Berim	A61B 10/0045
2021/0146370	A1	*	5/2021	Tuma	G01N 35/0099

FOREIGN PATENT DOCUMENTS

JP D2008-6210 * 6/2009

OTHER PUBLICATIONS

Filtration Rack . Online, published date unknown. Retrieved on Aug. 1, 2021 from URL: http://www.uwyo.edu/tpc/_files/available-technologies-docs/20-006-kern.pdf.*

(Continued)

Primary Examiner — Omeed Agilee
(74) *Attorney, Agent, or Firm* — Patterson + Sheridan, LLP

(57) **CLAIM**

The ornamental design for a filtration rack, as shown and described.

DESCRIPTION

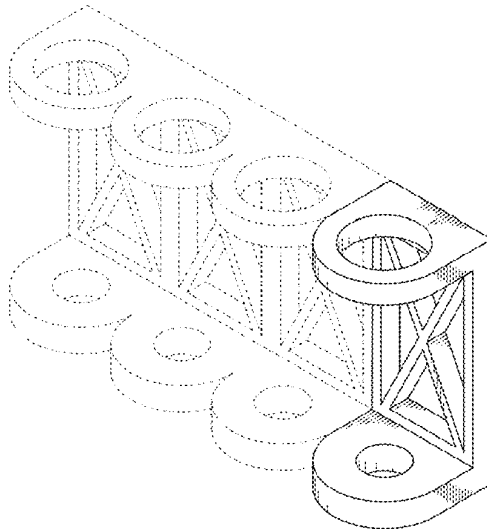
FIG. 1 is a front-side perspective view of a filtration rack showing my new design.
FIG. 2 is a front-side elevation view thereof.
FIG. 3 is a back-side elevation view thereof.
FIG. 4 is a top plan view thereof.
FIG. 5 is a bottom plan view thereof.
FIG. 6 is a right-side elevation view thereof; and,
FIG. 7 is a left-side elevation view thereof.
The broken lines in the drawings depict portions of the filtration rack that form no part of the claimed design.

1 Claim, 5 Drawing Sheets

(56) **References Cited**

U.S. PATENT DOCUMENTS

D53,853	S	*	9/1919	Kimmel	D6/574
2,200,024	A	*	5/1940	De Sipio	A47K 5/12 222/162
D299,897	S	*	2/1989	Rasmussen	D30/133
D304,670	S	*	11/1989	Johnson	D8/71
D328,216	S	*	7/1992	Steed	D6/525
D375,874	S		11/1996	Chrisco		
D421,130	S	*	2/2000	Cohen	D24/229
6,123,205	A	*	9/2000	Dumitrescu	B01L 9/06 206/443
D494,399	S	*	8/2004	Rodriguez	D6/567
D568,697	S	*	5/2008	Allen	D7/708
D620,982	S	*	8/2010	Parshad	D19/81
D632,715	S		2/2011	Chikigak		



(56)

References Cited

OTHER PUBLICATIONS

DSW Brown Wooden Test Tube Stand, Chemical Laboratory. Online, published date unknown. Retrieved on Aug. 1, 2021 from URL: <https://www.indiamart.com/proddetail/wooden-test-tube-stand-14960117312.html>.*

ADAPT-A-RACK®—Flexible Multi-Tube Rack. Online, published date unknown. Retrieved on Aug. 1, 2021 from URL: [https://www.heathrowscientific.com/adapt-a-rack-flexible-multi-tube-rack-i-120184-group?utm_term&utm_campaign=**LP+Shopping++Tube+Racks+\(Under+\\$20\)&utm_source=adwords&utm_medium=ppc&hsa_acc=8345734018&hsa_c.*](https://www.heathrowscientific.com/adapt-a-rack-flexible-multi-tube-rack-i-120184-group?utm_term&utm_campaign=**LP+Shopping++Tube+Racks+(Under+$20)&utm_source=adwords&utm_medium=ppc&hsa_acc=8345734018&hsa_c.*)

Harga Terkini Malaysia 2019, Senarai Harga Wooden Pour Over Coffee Brewer Stand V60 Coffee Drip Maker Dripper Filter Cup Holder Terbaru Di Malaysia, <https://ringgit.onlineaseanprice.org/senarai-harga-wooden-pour-over-coffee-brewer-stand-v60-coffee-drip-maker-dripper-filter-cup-holder-terbaru-di-malaysia/>, ringgit.onlineaseanprice.org, last visited Oct. 2019.

Aliexpress, WeCollection Store, 2010-2019 AliExpress.com. V60 hand drip coffee rack brewer coffee maker bamboo holder bamboo pour over coffee rack coffee dripper stand <https://www.aliexpress.com/item/32609176359.html>, last visited Oct. 2019.

* cited by examiner

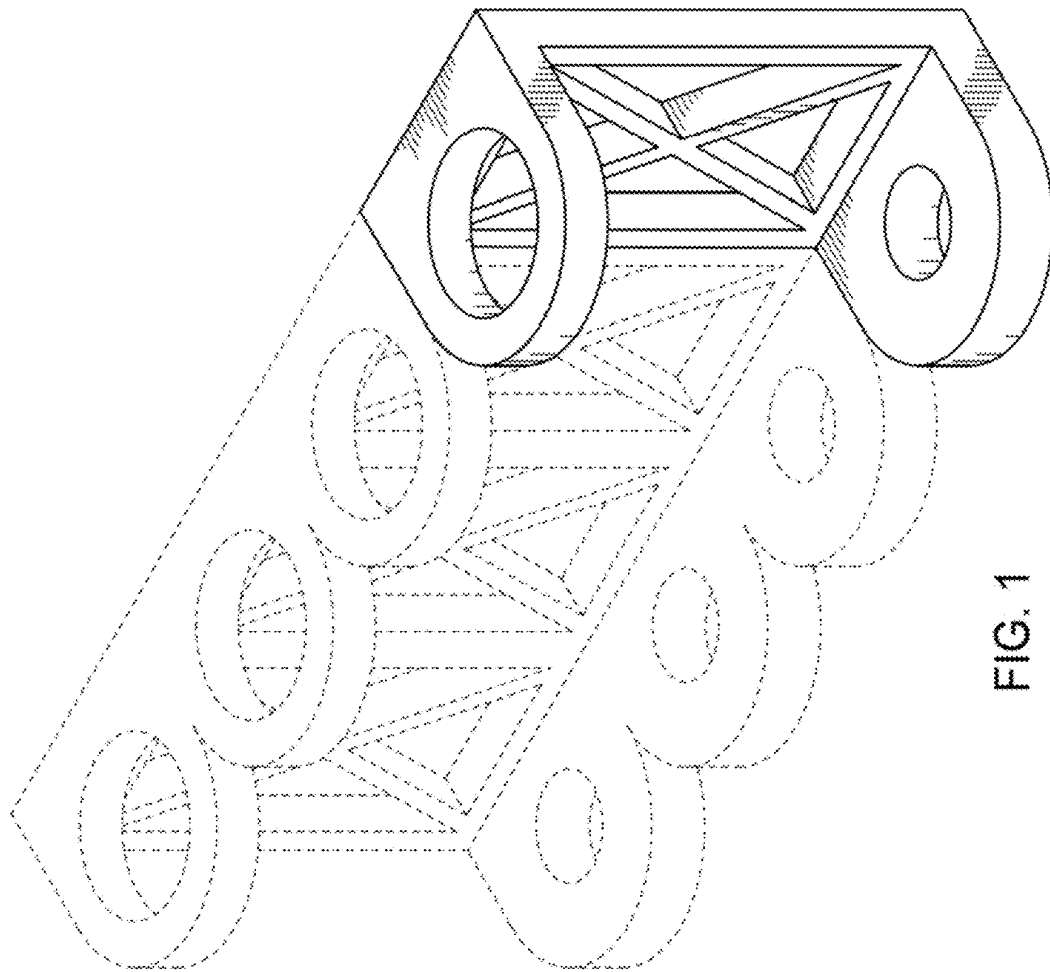


FIG. 1

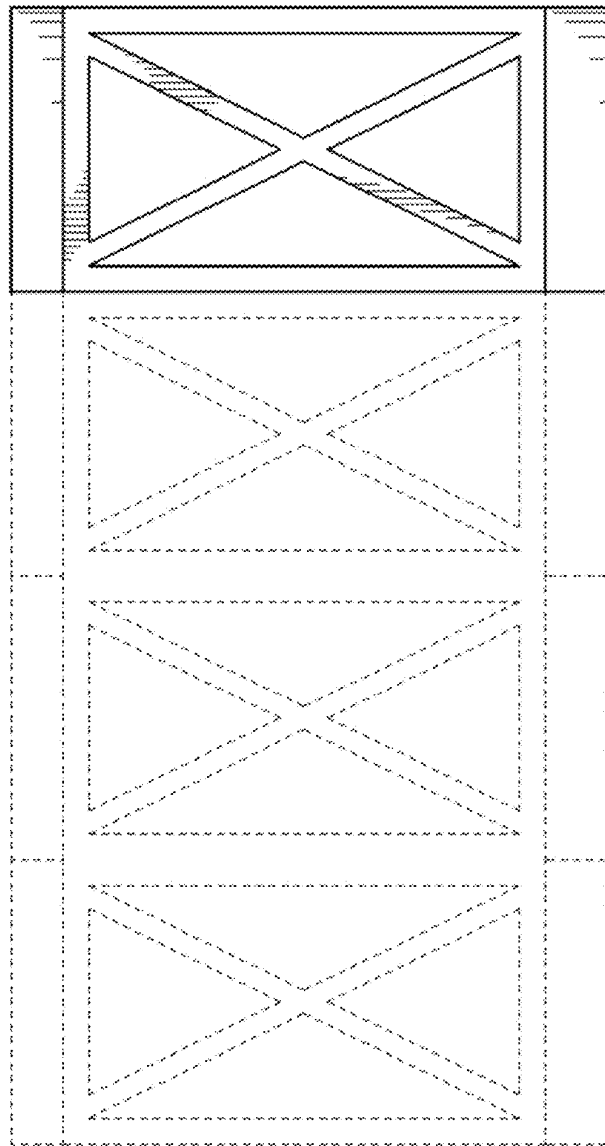


FIG. 2

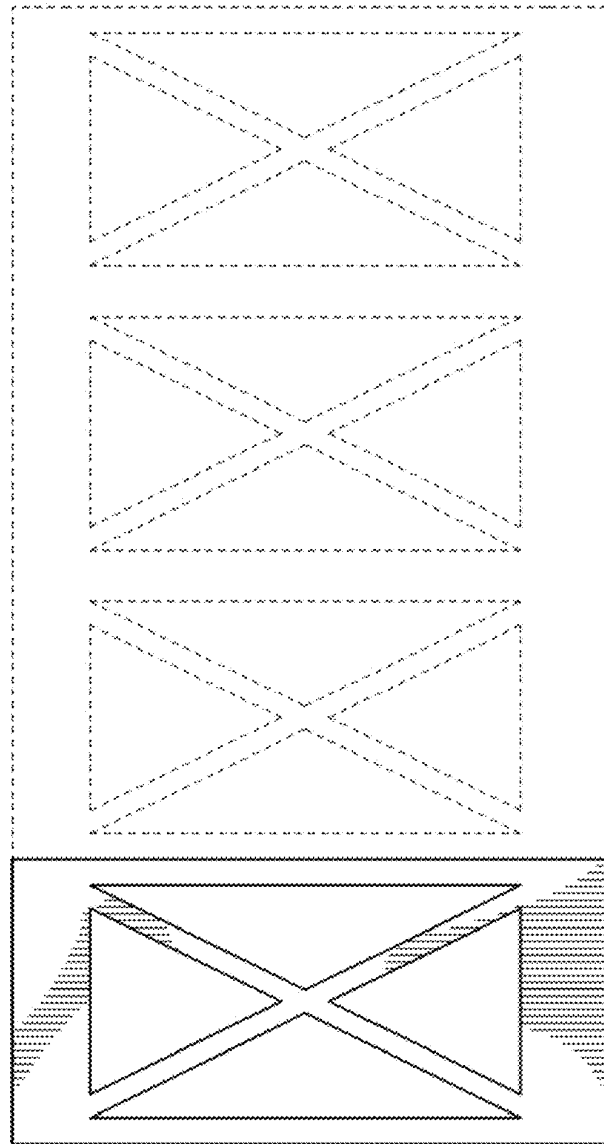


FIG. 3

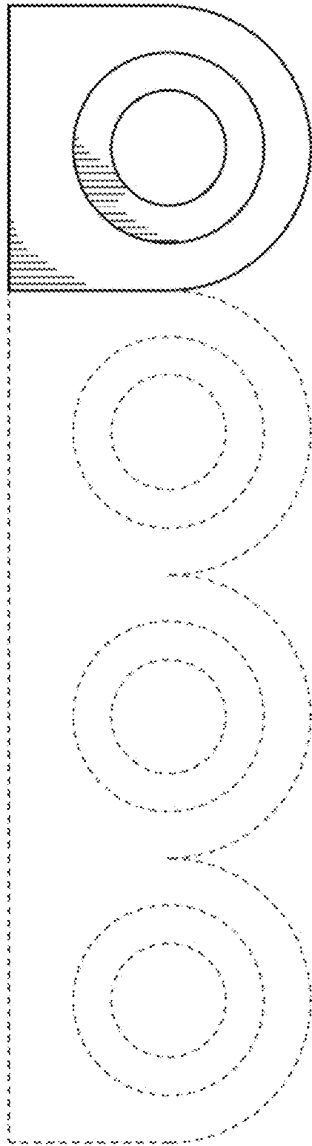


FIG. 4

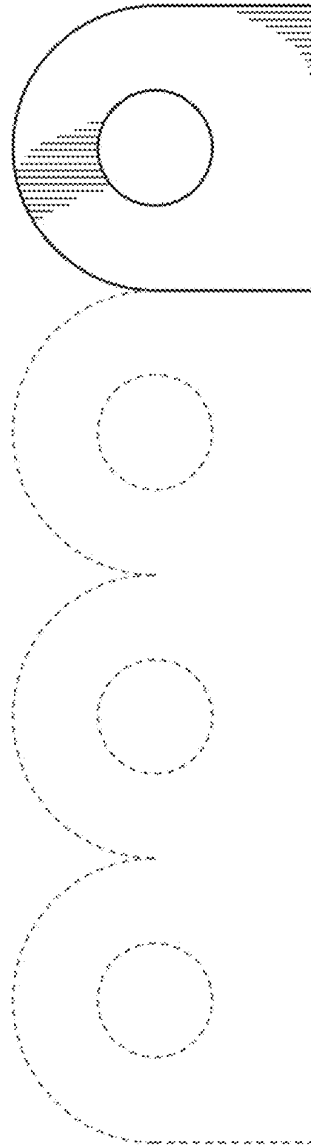


FIG. 5



FIG. 7

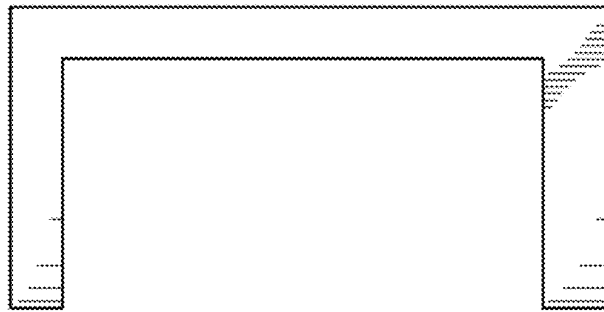


FIG. 6